

The petainerKeg™ USD format can be filled on many suitably modified steel Keg-Fillers.  
Please contact the filling machine supplier for advice, format parts and program modifications.

When using the petainerKeg™ USD format, please note the following:

## General

Modify the machine program in accordance with the instructions below:

1. All steel Keg washing and sterilising functions need to be inhibited.
2. Keg must be filled volumetrically to the required capacity to provide head space.

## Racker Conversion

1. Check that the filling head spear adaptor (piston top) dimensions comply with the Petainer closure drawing. Failure to do so may damage the closure and prevent its proper operation!
2. Mount a plate/disc below the Keg clamp to apply pressure evenly across the USD packaging.
3. Maximum allowed top load is:
  - a. 30 l USD: 1600 N (360 lbf)
  - b. 20 l USD: 1300 N (292 lbf)

## Filling

1. Purge/rinse the Keg with CO<sub>2</sub> (or other appropriate inert gas) to remove air from the Keg prior to filling.
2. Keg counter-pressure and filling (maximum pressure 3 bar / 43.5 psi) can then proceed as normal.

## Intermediate head rinsing

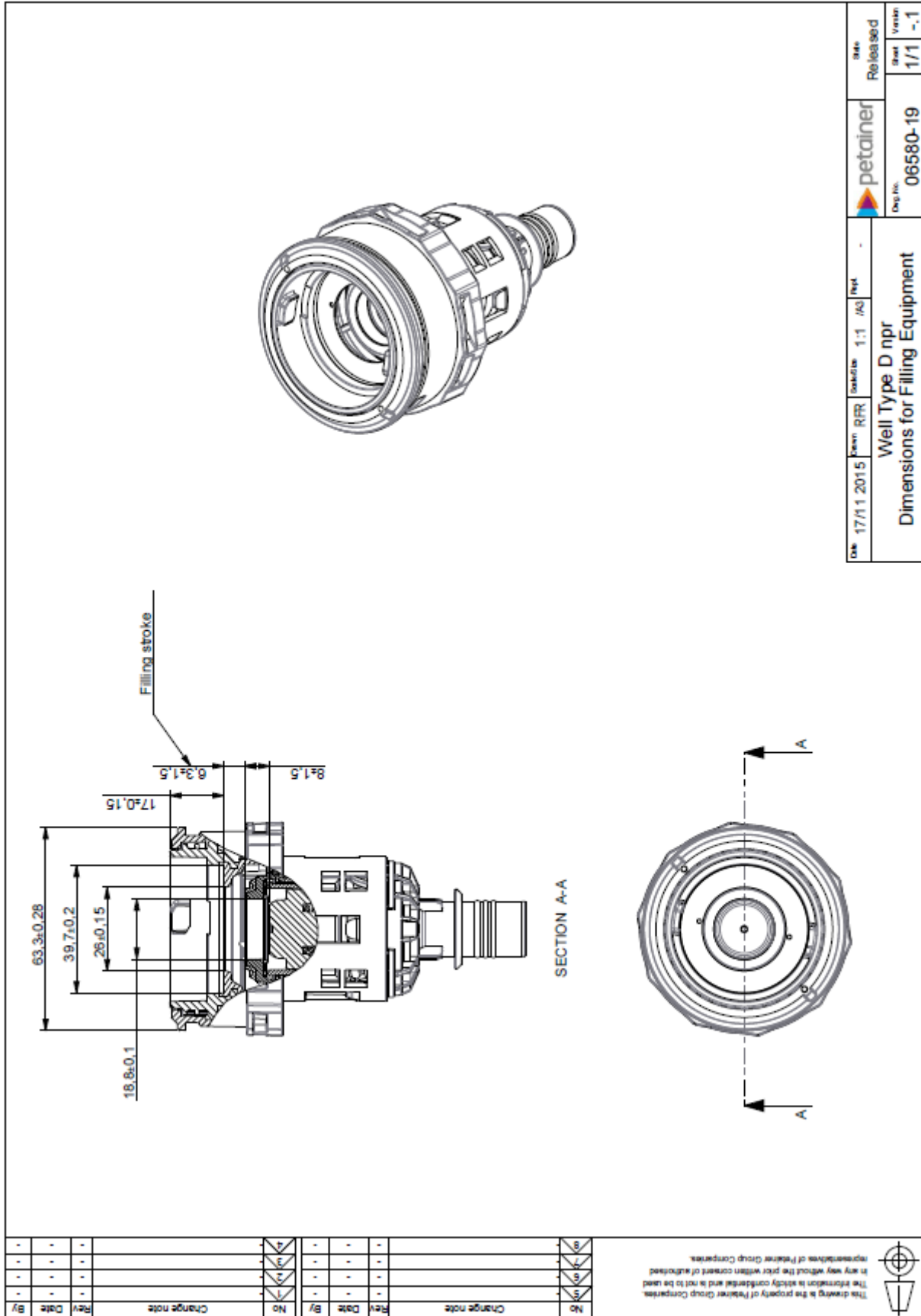
If the racker design allows, it is desirable to flush/disinfect the filling head and each keg valve from outside before and after filling.

1. e.g. with hot water (1 second with 85°C / 185 F).
2. Water pressure before filling maximum 1.0 bar / 14 psi.
3. Water pressure after filling should not exceed the pressure in the Keg.

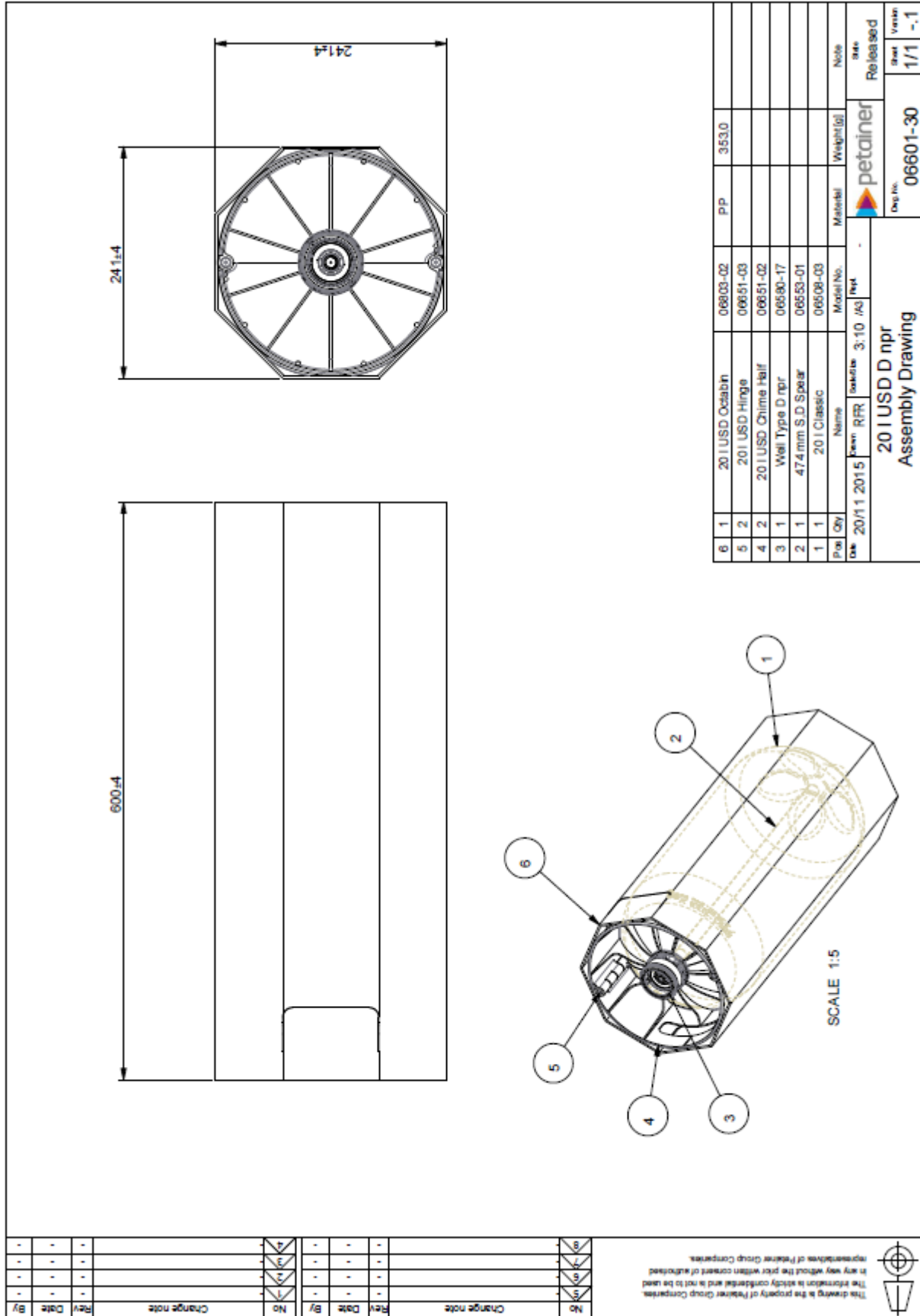
## Safety

1. All machinery must be guarded in accordance with local regulations.
2. Eye and ear protection, together with work-wear should be used.
3. PET Kegs can burst when damaged by sharp objects.
4. Under filled Kegs or other rejects should be de-pressurised prior to disposal.





D npr = D-type without automatic pressure relief function



Pos.	Qty.	Name	Material	Weight [g]	Note
6	1	30 I USD Octabrh	06604-03	PP	430.0
5	2	30 I USD Hinge	06652-06		
4	2	30 I USD Chime Half	06652-04		
3	1	Well Type D npr	06690-17		
2	1	482 mm S.D Spear	06553-02		
1	1	30 I Classic	06530-01		

Date: 20/11/2015		Rev: RRR	Scale: 3:10	(A3)	Part:			
30 I USD D npr						petainer		
Assembly Drawing						Released		
06602-35						1/1 -1		

No.	Change note	REV	Date	By
2				
1				

No.	Change note	REV	Date	By
4				
3				
2				
1				