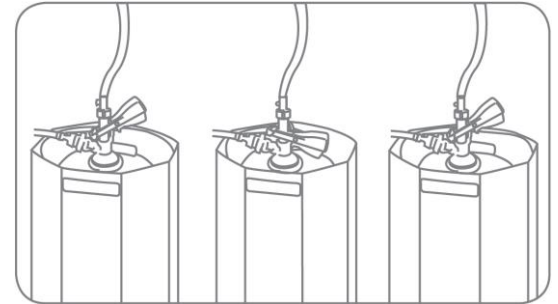


USD A pr - Instruction for use

1. Break and remove the snap cap.
2. Slide the dispense head onto the fitting on top of the keg.
(Take care that the **dispense head is fully engaged/slide on to the fitting**, to avoid fitting damage while pressing the handle down.)
3. Push down the dispense head handle.
The keg is now ready to dispense.

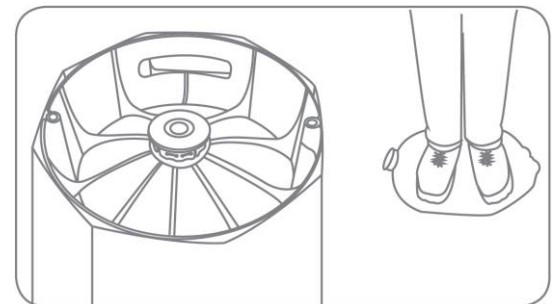


USD A pr - Instruction for disposal

1. When the keg is empty, pull the dispense head handle upward. This will isolate the keg from the gas supply. With the keg still in its sleeve, tilt the keg so the end of the spear tube is not submerged in beer. This will prevent residual beer being vented when the dispense head is removed.
2. Cover the valve with a towel or cloth. Gently slide the dispense head off the keg. The gas in the keg will be evacuated through the automatic pressure relief valve.
3. When **fully de-pressurised**, flatten the complete keg and send for recycling in accordance with local recycling regulations.

Optional:

Remove the keg from its outer casing. Using pliers, remove the pin securing the keg top and detach. Flatten the petainerKeg™ and the polypropylene casings.



If cleaning of the dispense line is required, or there is a need to uncouple the petainerKeg™ for any reason before the keg is empty:

1. Put the keg in an upright position.
2. Put a towel or similar around the fitting and dispense head.
3. Pull the dispense head handle upward.
4. Gently slide the dispense head off the fitting to release the pressure in the keg through the automatic pressure relief valve.
5. Keep the keg upright and cover the "open" fitting.
6. Reconnect as quickly as possible.

To reconnect the keg:

1. Slide the dispense head onto the fitting.
2. Hold the keg fitting with one hand.
3. Push down the dispense head handle with the other hand.

The keg is now ready to dispense again.